

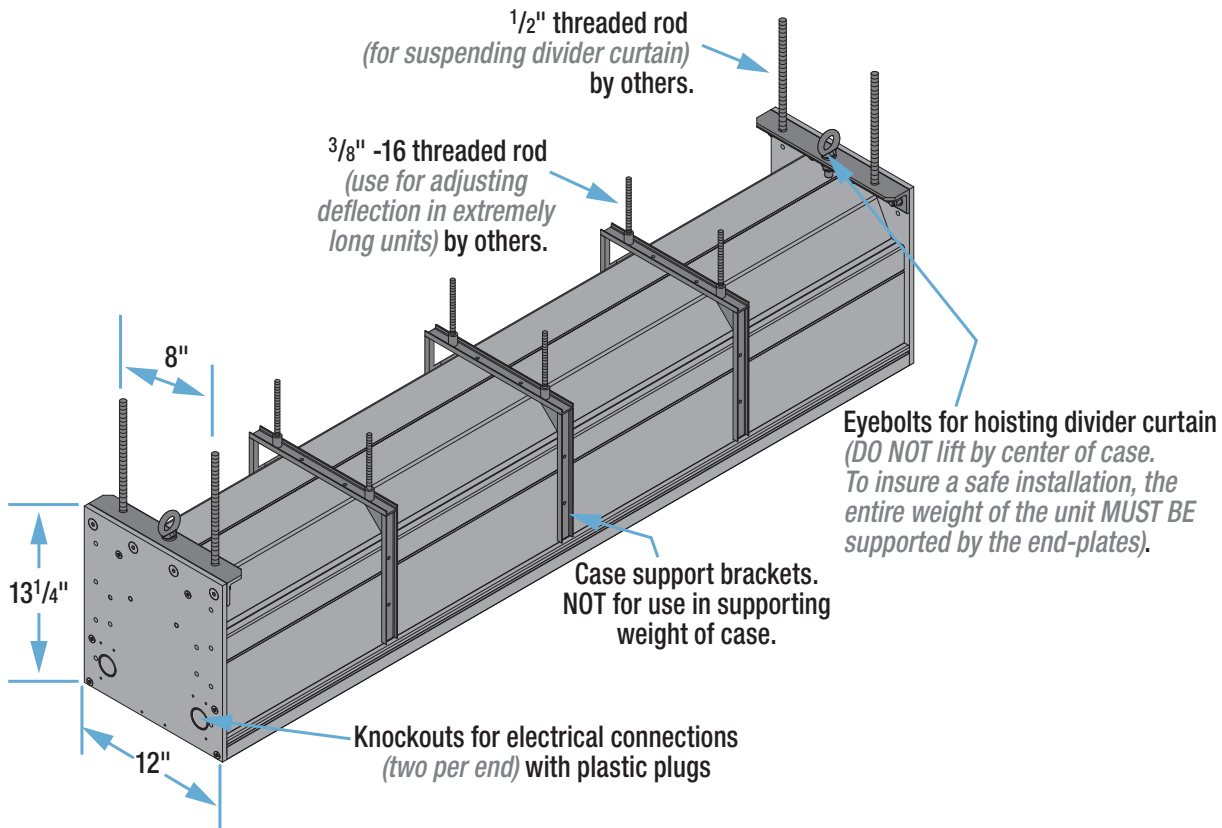
# Paragon G

Electrically Operated Divider Curtain for Small Openings

## INSTRUCTIONS

### INSTALLATION & OPERATION

#### Overview - Components



#### TOOLS REQUIRED



PENCIL



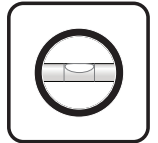
POWER DRILL



TAPE MEASURE



HARDWARE (by others)



LEVEL

### ⚠ CAUTION ⚠

**Read and understand all warnings (p. 2) before beginning installation.**

#### Contents

Overview	<b>Components</b> .....	1	Section 5	<b>Bottom Closure Removal/Replacement</b> .....	5
Please Read	<b>Warnings and Safety Information</b> .....	2	Section 6	<b>Dimensions</b> .....	6
Section 2	<b>Electrical Connections</b> .....	4	Section 7	<b>Wall Mounting Bracket and Ceiling Trim Flange</b> .....	6
Section 3	<b>Operation</b> .....	4	Section 8	<b>Key Switch</b> .....	6
Section 4	<b>Limit Adjustments</b> .....	4	Section 9	<b>Wiring Diagram</b> .....	6

If you have any difficulties installing or servicing your Ultimate Access XL Screen, call your dealer or Draper, Inc.

## **WARNING**

**Improper installation and use of the Paragon Divider Curtain can result in serious injury or death. Primarily, injuries can occur if the unit falls due to imprecise installation, mishandling of the unit during installation or installation on an insufficient wall or ceiling structure. Please use extreme care.**

1. Please read the following installation guidelines thoroughly and follow them carefully. Failure to do so may cause product to fall or otherwise fail, and could result in serious injury.
2. Installation and calibration of the unit should only be performed by an authorized, qualified, and experienced professional. In particular, electrical work and wiring [indicated in diagram by dashed lines] must be completed only by a qualified professional electrician who has read this manual completely and is familiar with the construction and operation of this equipment and the hazards involved.
3. Do not affix the unit to walls or ceilings that have inadequate strength to permanently hold the unit during use. It is the owner's and installer's responsibility to confirm the wall or ceiling to which the unit attaches is sufficient to permanently hold the weight and stress loads of the unit at all times. Draper, Inc., is not responsible for improper installation, application, testing or workmanship related to the product at place of installation.
4. It is the installer's responsibility to make sure appropriate fasteners are used for mounting.
5. All hardware must be installed level. Unit must be level and square.
6. Never leave the area while operating the unit during installation, maintenance, or normal operation, unless it is secure and safe.
7. Before testing or operation, carefully inspect the entire area and path (especially underneath) of unit to be sure no persons or objects are in the area.
8. Turn off power and any nearby equipment or cables carrying electricity before connecting switches, wires, controls, or electrical components.
9. Do not wire motors in parallel without written permission from Draper, Inc.
10. During testing or operation, carefully watch the surrounding area for any potential safety concerns including nearby persons or objects.
11. After installation, the entire system, should be carefully tested to ensure safe and normal operation. Extreme care should be taken during testing to remain clear of moving parts to avoid possible injury.
12. Operation of unit should be performed only by authorized and qualified personnel, who have been trained in its safe and effective operation and understand its safety features.
13. The safety features of the unit should never be disabled, bypassed or overridden. The system should not be operated until all safety features are properly and completely installed, calibrated and tested.
14. Unit may need to comply with local, state or district rules and regulations, in particular when installed in schools. All applicable rules and regulations should be reviewed before installation and use.
15. ***Failure to precisely follow installation guidelines invalidates all warranties.***
16. Custom products/installations may not be reflected in this manual. Call Draper, Inc., if you have questions about the installation of custom products or any questions about your installation.

### ***Before Beginning Installation***

1. Look for any job site conditions that could interfere with installation or operation of the system.
2. Read carefully and be sure to understand all installation instructions and all related operations manuals. These instructions are intended to serve as a guide for the installer and owner. They should be followed closely and combined with the expertise of experienced qualified installers. Draper, Inc., is not responsible for improper installation, application, testing or workmanship related to the product at place of installation. Please retain all instructions for future use.
3. Open cartons lengthwise.
4. Locate and lay out all pieces.
5. Inspect all boxes to make sure you have received the proper unit and parts. Controls may be shipped separately, or in same carton as unit .
6. If you have any difficulties with installing, servicing or operating your unit , call your dealer or Draper, Inc., (765) 987-7999.

## Section 1 - Mounting Divider Curtain

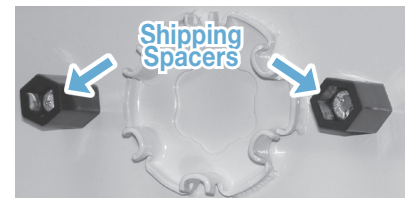
### Regardless of mounting method used, the following points apply:

1. Divider Curtain should be lifted into position only by the end mounting brackets. Keep case level by lifting end plates simultaneously to prevent surface damage. Draper provides eyebolts to use in hoisting the Divider Curtain. DO NOT use eyebolts to mount Divider Curtain. Using both mounting holes in the mounting brackets makes for a much more stable installation. Never attempt to lift Divider Curtain along its length.
2. Entire weight of unit MUST BE supported by end plates during installation. Anchoring intermediate case support brackets is only needed to reduce visible case deflection when unit mounts into a ceiling pocket or ceiling tile opening. For installations that are not recessed, case deflection is usually not noticeable.
3. Divider Curtain should be positively and securely supported so that vibration or abusive pulling will not weaken installation.
4. Installer must ensure that fasteners used are of adequate strength and suitable for mounting surface. Installer must also insure that structure is of adequate strength. Supporting hardware (*chains, cables, rods, etc.*) must be essentially vertical.
5. Entire bottom of case must be readily accessible after installation is complete.
6. Front, back and top of case must be straight — not forced to warp or bow. Use threaded rod and support brackets to keep large cases from warping. DO NOT use support brackets to support weight of Divider Curtain.
7. Do not use case to support adjacent sections of ceiling.
8. If optional ceiling flange trim kits are attached, use hardware provided.
9. If case is painted, slots on bottom of case should be shielded to protect surface from paint splatters or overspray.
10. After case is mounted, and before operating Divider Curtain, remove shipping spacers from inside case. First, remove closure panel (see Page 2). Find the hexagonal spacers on the motor end — one in front of roller and one behind (Fig. 1). Remove these spacers with a wrench, taking care not to damage fabric or loosen wiring (see caution note below). Replace closure panel.

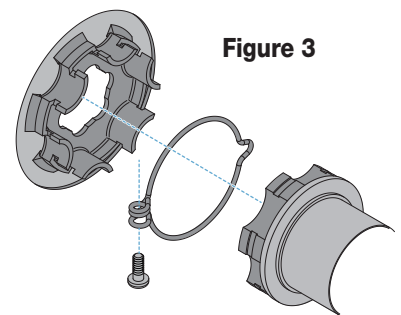
**⚠ Caution:** Divider Curtain ships with motor wiring mounted to case. Be careful not to pull wiring loose from case while removing spacers — if wiring is loose, it could be damaged during Divider Curtain operation. If wiring does come loose, re-mount as it was.

11. Do not seal unit in ceiling until electrical connections have been made and Divider Curtain has been operated successfully.

**⚠ Caution:** Do not remove roller assembly from case unless necessary for repairs. If roller assembly is removed, be sure motor is fully re-seated in the bracket, and re-secure it carefully with motor retaining spring and screw (Fig. 3).

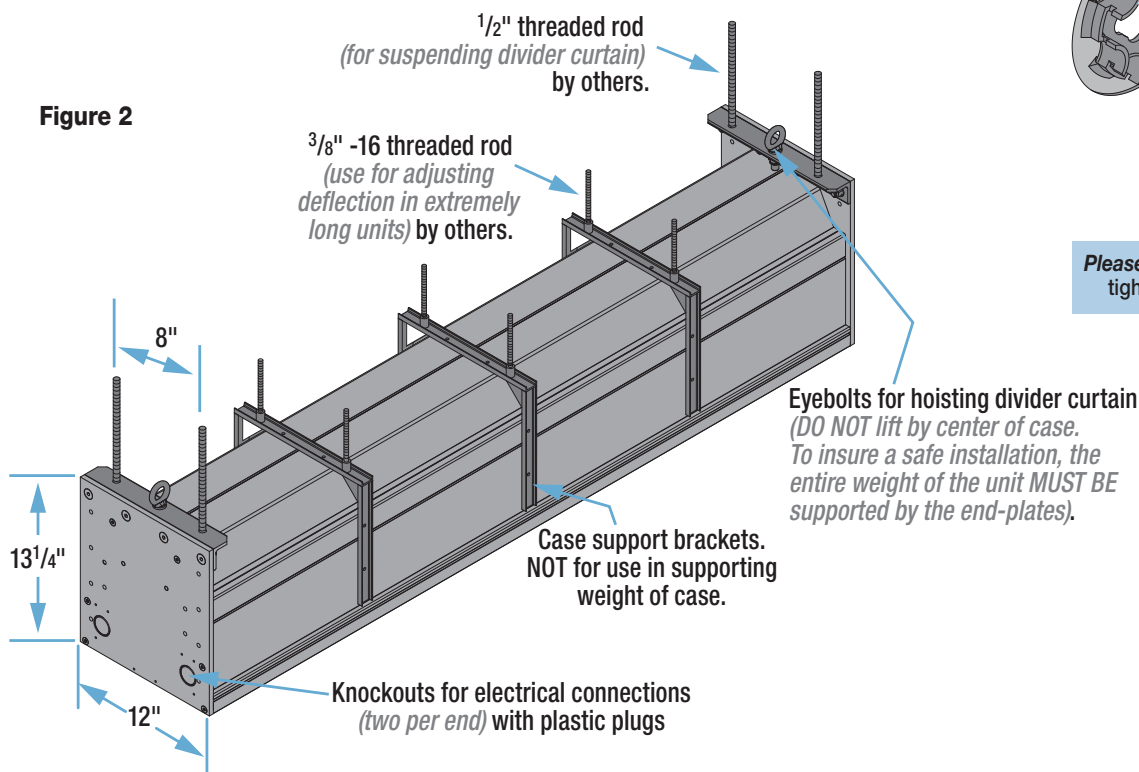


**Figure 1**  
(roller and fabric removed for clarity)



**Figure 3**

**Please note:** Maximum torque for tightening screw is 5 lb-inches.



**Figure 2**

## Section 2 - Electrical Connections

1. Divider Curtain operates on 110-120V, 60 Hz., 1.1 amp current draw.
2. Junction box is located just above the bottom access panel at the left end of the Divider Curtain.
3. Open the access panel/trap door for access to the junction box cover. (See *bottom access panel/trap door opening and closing instructions below*).
4. Remove two (2) hex head screws that secure the cover to the junction box to expose the red, black, and white pigtail leads and the green ground wire per wiring diagram (Page 7).
5. Divider Curtain is shipped with internal wiring complete and control switch(es) fully boxed. Wire to connect Divider Curtain to switch(es) and switch(es) to power supply should be furnished by installer. Connections should be made in accordance with attached wiring diagram, and wiring should comply with national and local electrical codes.
6. All operating switches should be "off" before power is connected.

## Section 3 - Operation

**⚠ Caution:** When operating for the first time, cycle unit down and up several times to confirm satisfactory operation. Be prepared to cut POWER if necessary.

Three-position key switch permits the Divider Curtain to be operated directly by key. Requires Divider Curtain operator to have a key.

### Control Options for Paragon/G

(See *individual submittal sheets and documents for these options.*)

- Wireless Remote Control
- EZ Pad Plus Keypad Control System
- Smart Gym Touch Screen Control System
- 503065 – Audible Alarm
- 503091 – Plug Kit

## Section 4 - Limit Adjustments

**Please Note:** Divider Curtain limits are factory set. Instructions below for minor adjustments only. Please check with Draper prior to resetting Divider Curtain limits.

**Please Note:** If Divider Curtain is "Right Hand Motor" or "Waterfall," the WHITE/DOWN (I) and YELLOW/UP (II) limit screws are reversed (Fig. 9).

### ⚠ Caution:

- Be sure all switches are in "off" position before adjusting limit switches.
- Be prepared to shut off manually while testing.
- Divider Curtain may be damaged by lowering it too far and exposing roller.
- Motor must be installed so limit switches are pointed down.

### Section 4.1 - Limit Adjustments

#### Section 4.1.1 - "Down" Limit Adjustment (requires a $5/32$ " (4 mm) Allen wrench)

##### To Reduce Divider Curtain Drop:

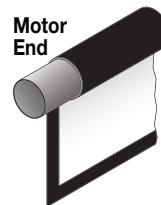
1. Raise Divider Curtain surface approximately 1' (30 cm) above desired setting and turn off.
2. Turn DOWN (I) limit screw clockwise (3 screw turns =  $1/2$  roller revolution).
3. Test by lowering Divider Curtain. Repeat steps 1 & 2 until desired position is reached.

##### To Increase Divider Curtain Drop:

1. Lower Divider Curtain to down limit.
2. With down switch on, turn DOWN (I) limit screw counterclockwise (3 screw turns =  $1/2$  roller revolution) to increase drop.
3. Test by raising Divider Curtain approximately 1' (30 cm) then down to new down limit.
4. Repeat steps 2 and 3 until desired position reached.

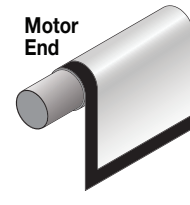
**Please Note:** For Quiet Motor with alternate limit screws, WHITE screw = UP and RED screw = DOWN. However, limits are reversed if surface is waterfall rolled.

Figure 9



#### Standard Roll

**Left hand motor:**  
White Socket—Down  
Yellow Socket—Up  
**Right hand motor:**  
White Socket—Up  
Yellow Socket—Down



#### Waterfall Roll

**Left hand motor:**  
White Socket—Up  
Yellow Socket—Down  
**Right hand motor:**  
White Socket—Down  
Yellow Socket—Up

#### Section 4.1.2 - "Up" Limit Adjustment

**⚠ Caution:** DO NOT allow dowel to wrap over roller when operating Divider Curtain! This could damage Divider Curtain.

##### If Divider Curtain Raises Too High:

1. Lower Divider Curtain approx. 1' (30 cm) below desired setting and turn off.
2. Turn UP (II) limit screw clockwise (3 screw turns =  $1/2$  roller revolution).
3. Test by advancing Divider Curtain up.
4. Repeat steps 1 through 3 until desired position is reached.

##### If Divider Curtain Needs to Raise Higher:

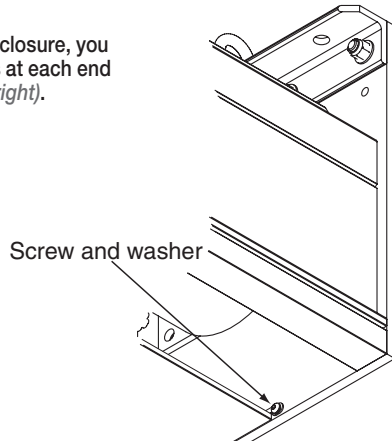
1. Lower Divider Curtain surface approx. 1' (30 cm) below desired setting and turn off.
2. With Up switch on, turn UP (II) limit screw counterclockwise (3 screw turns =  $1/2$  roller revolution).
3. Repeat steps 1 and 2 until desired position is reached.

## Section 5 - Bottom Closure Removal/Replacement

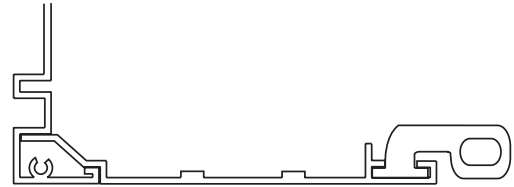
**Please Note:** Removal and replacement of the bottom closure panel requires two people positioned about 5' from each end of the panel. Closure should be handled as shown in Step 5 to prevent bowing of the closure during handling.

### Step 1

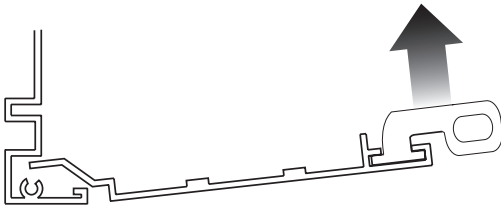
Before removing bottom closure, you must first remove screws at each end of case (see drawing at right).



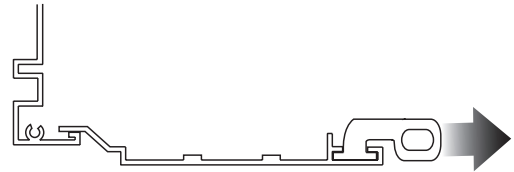
### Step 2



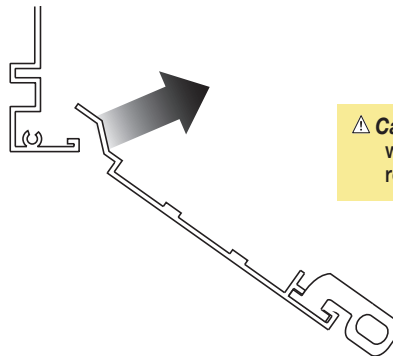
### Step 3



### Step 4



### Step 5



**⚠ Caution:** Be sure to replace screws and washers at each end of case when replacing closure!

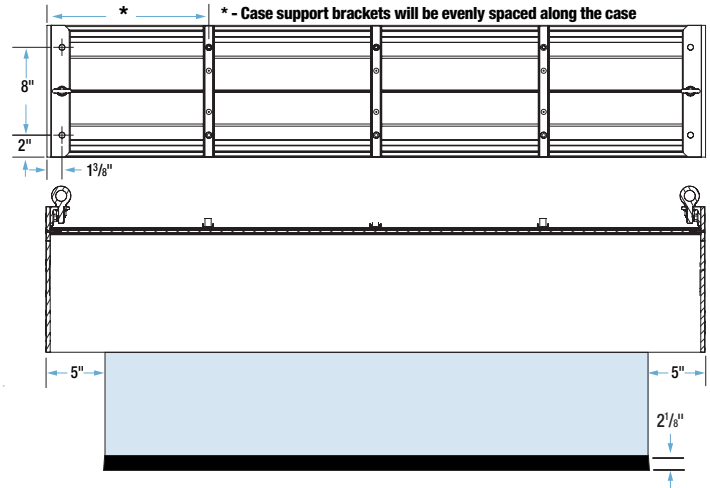
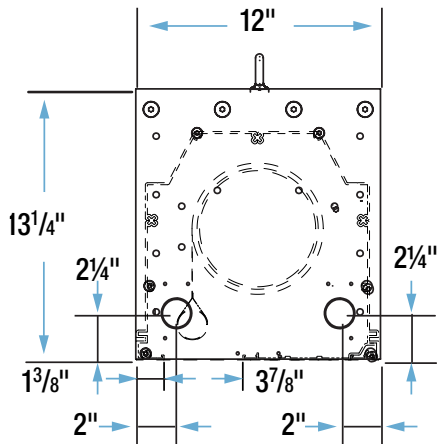
# Paragon G

Electrically Operated Divider Curtain for Small Openings

## Section 6 - Dimensions

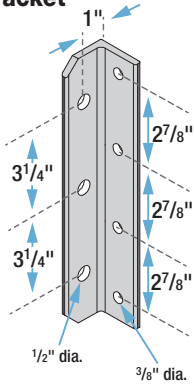
Case Width	No. of Intermediate Brackets
< 96"	0
≥ 96" and < 180"	1
≥ 180" and < 240"	2
≥ 240" and < 346"	3

Brackets are equally spaced from each other and each end. For example, if the case length is 202", then each of the two brackets will be placed approximately 67.33" from each end (with 67.33" between them).

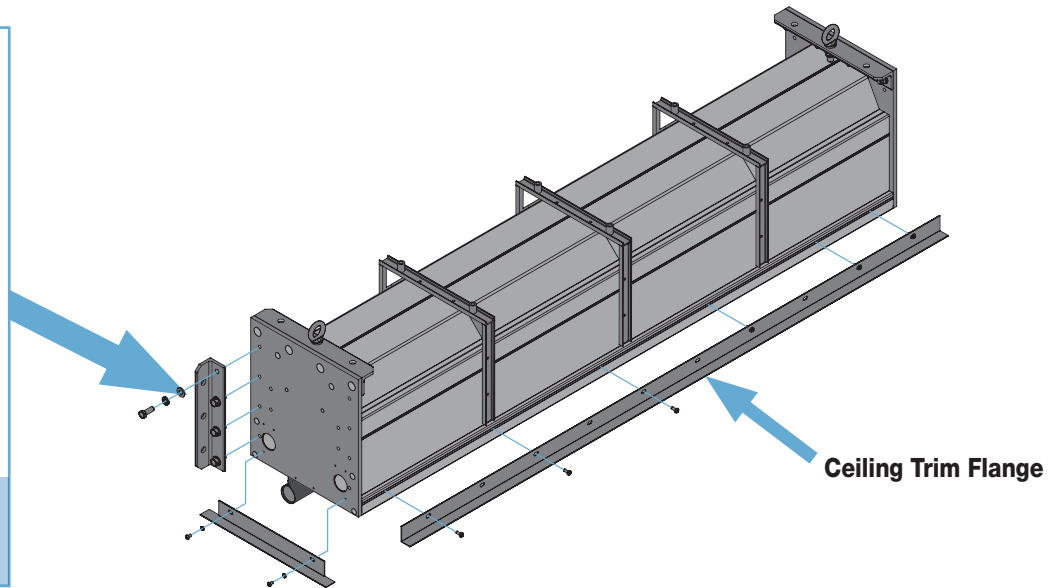


## Section 7 - Wall Mounting Bracket and Ceiling Trim Flange

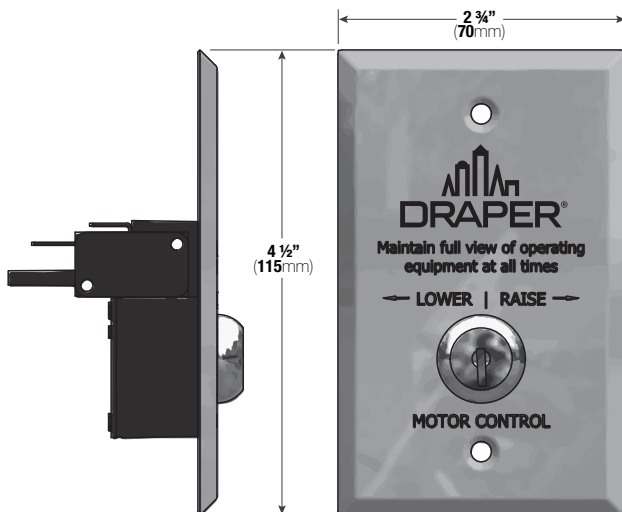
### Wall Mounting Bracket



**Please Note:** Optional wall brackets add 1 1/4" per bracket to case length. Wall mounting bracket hole location is 1" from end of case.

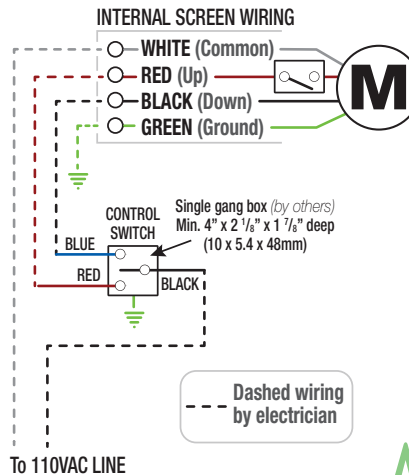


## Section 8 - Key Switch



## Section 9 - Wiring Diagram

### Single Station Control



**Please Note:** Test divider operation. If divider direction does not correspond with the switch orientation, turn power back off and switch the red and black wires from the motor to the switch.